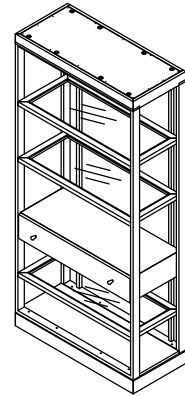


**Warning :**

- Be sure to check all packing material carefully for small parts, which may have come loose inside the carton during shipment.
- To prevent possible scratches and damage, this furniture **MUST BE ASSEMBLED BY TWO PEOPLE** on a soft surface such as a blanket or carpet.



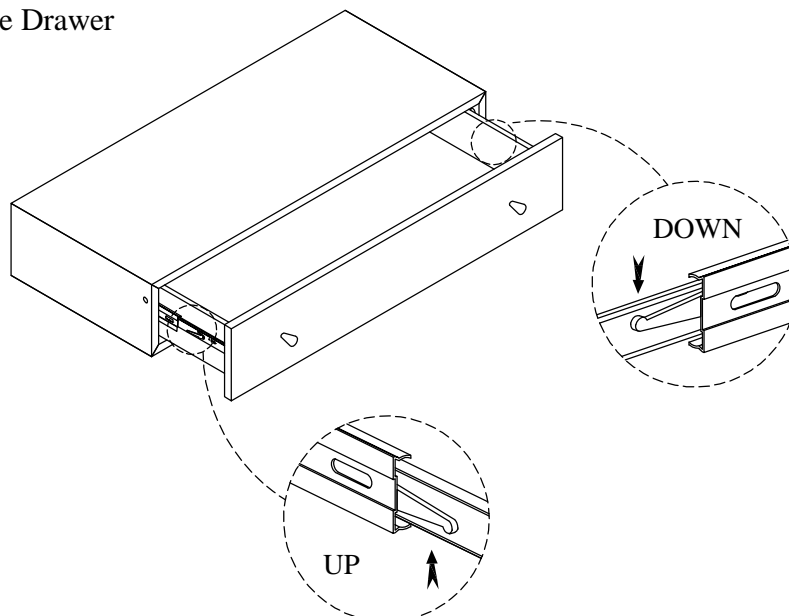
11737/ 17137/ 50337  
Etagerie

**Important Use Information:** We recommend using coasters, placemats and trivets when placing hot or cold containers on this item. It is also recommended to quickly cleanup any spills to minimize exposure to moisture. Doing so will prolong the life and look of the item for many years.

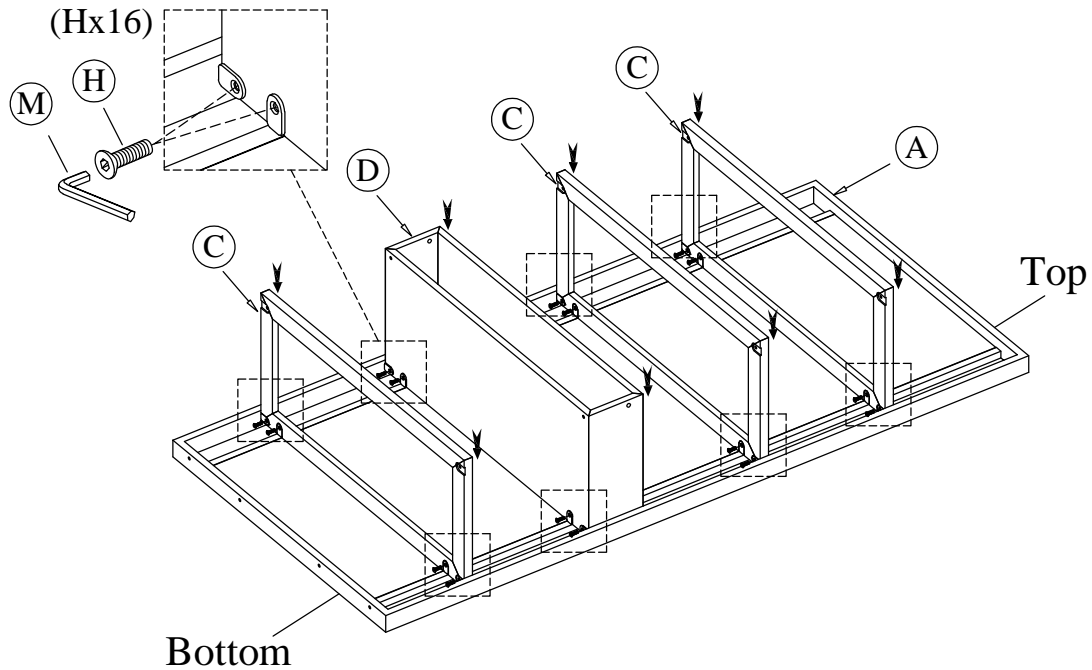
**Components and Hardware List**

Back Assembly	Front Metal Frame	Shelf	Drawer Box	Bottom Assembly	Top Assembly
1 pc.	1 pc.	3 pcs.	1 pc.	1 pc.	1 pc.
3pcs.	24 pcs. Tapered Bolt Ø1/4"-20 x 1/2"	13 pcs. Allen Head Bolt Ø1/4"x 20 x 1-1/4"	8 pcs. Allen Head Bolt Ø1/4"x 20 x 3"	21 pcs. Spring Washer Ø1/4"	21 pcs. Flat Washer Ø1/4" x 19*2mm
1 pc.	30 pcs. Felt Bumper Pads Ø10*2mm	1 set. Furniture Tipping Restraint Kit	1 pc. USB Adapter	Screw Driver not included	

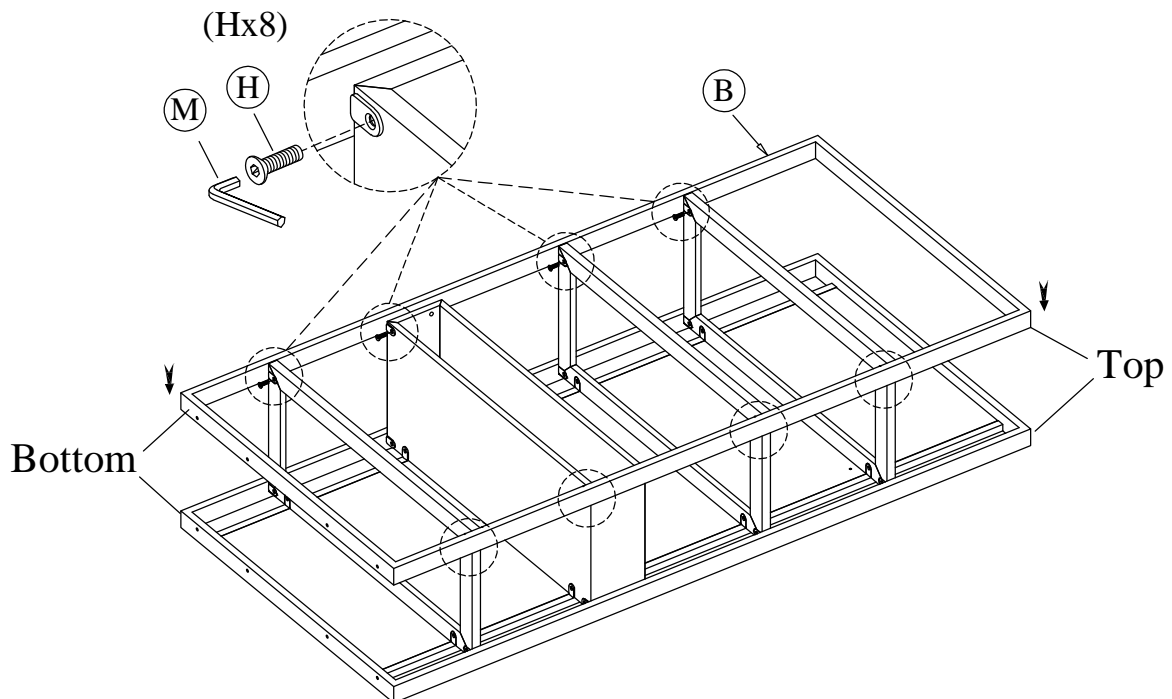
**Step 1: Remove Drawer**



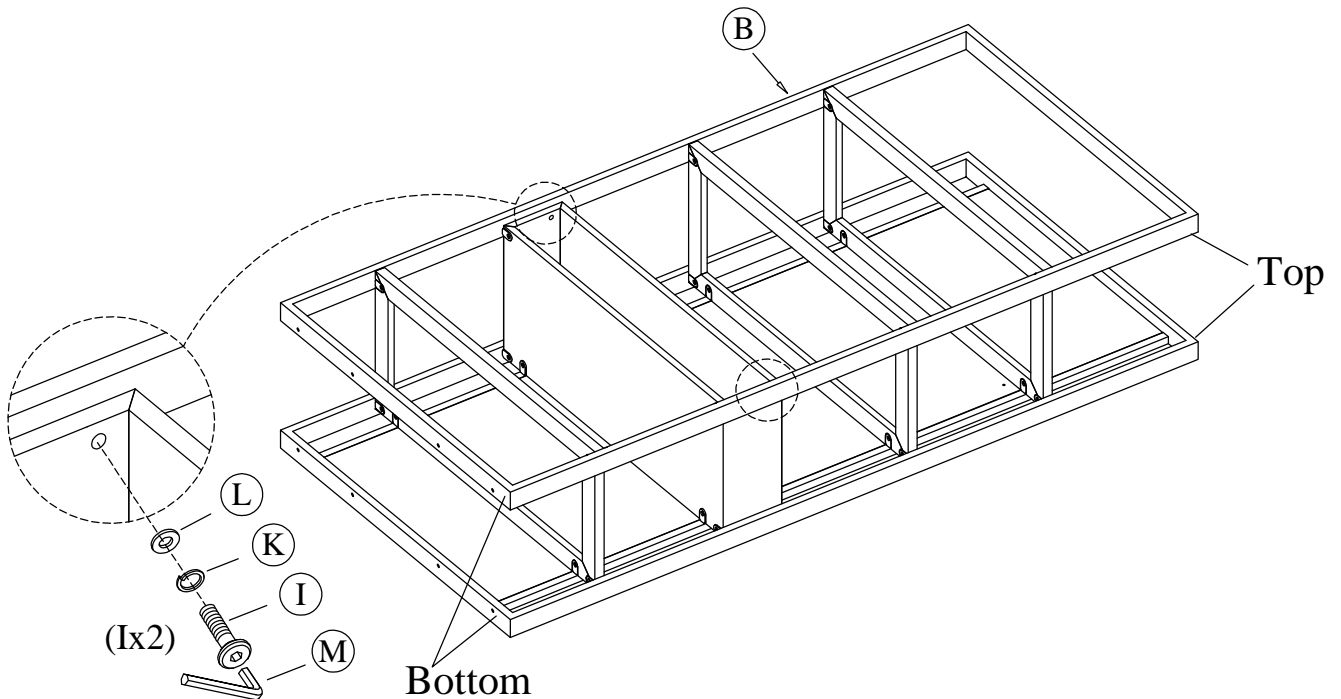
Step 2: Do not fully tighten bolts.



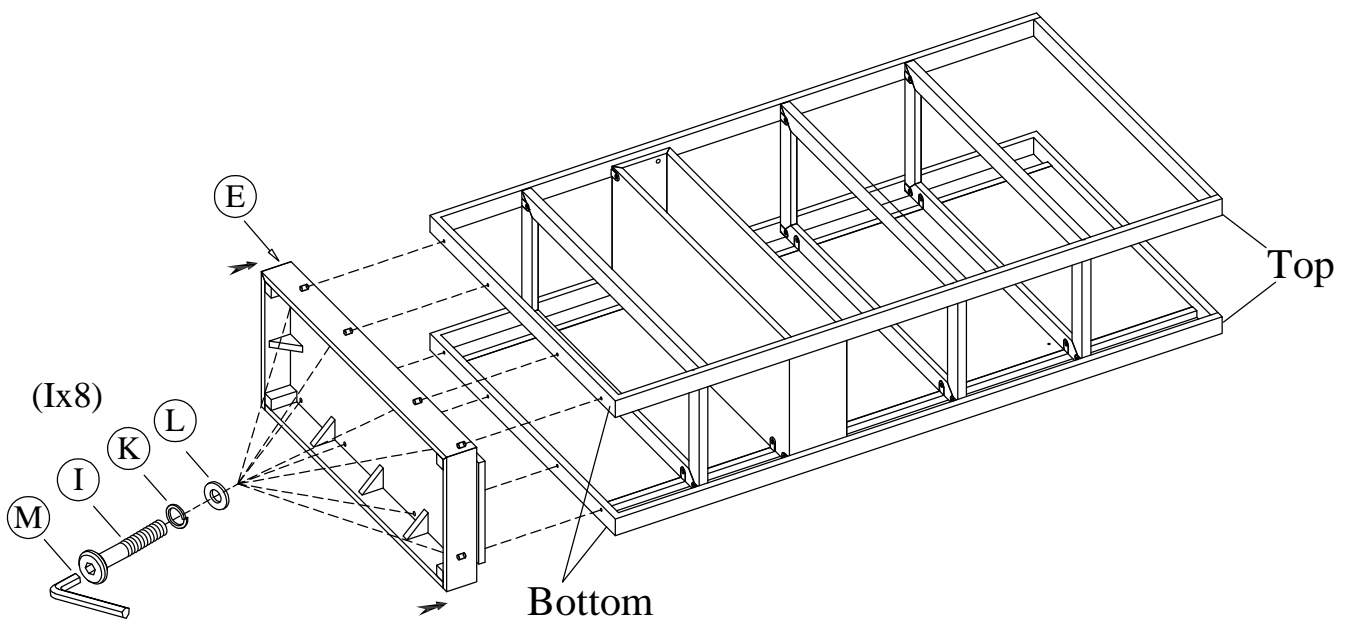
Step 3: Do not fully tighten bolts.



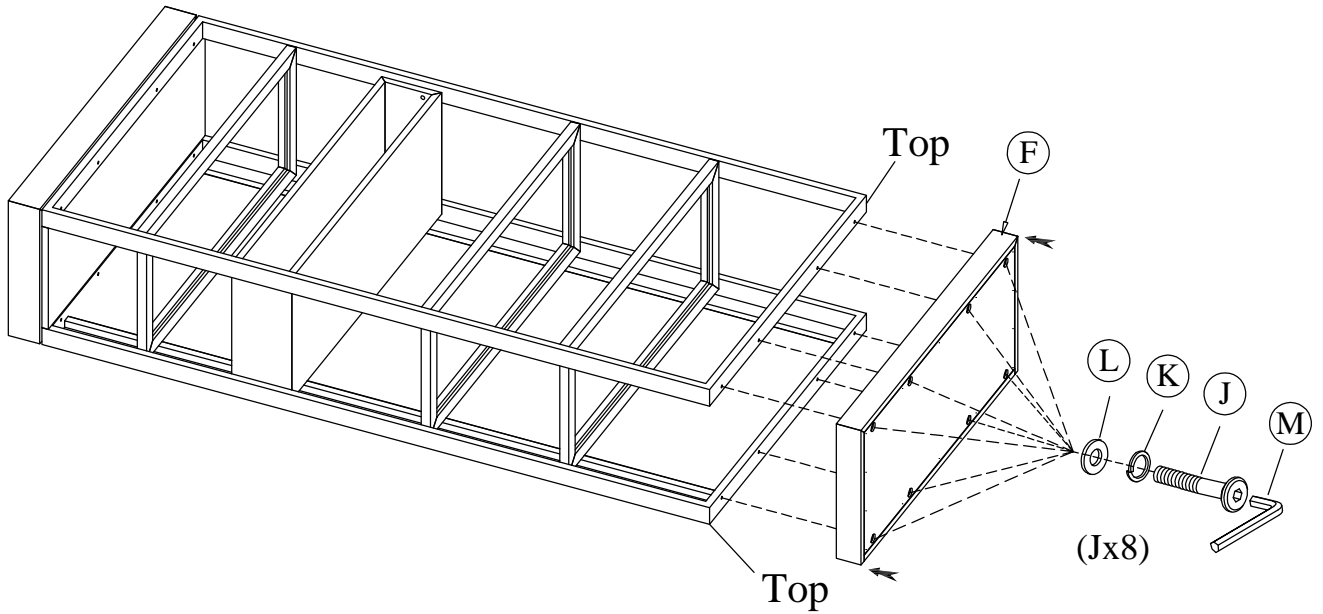
Step 4: Do not fully tighten bolts.



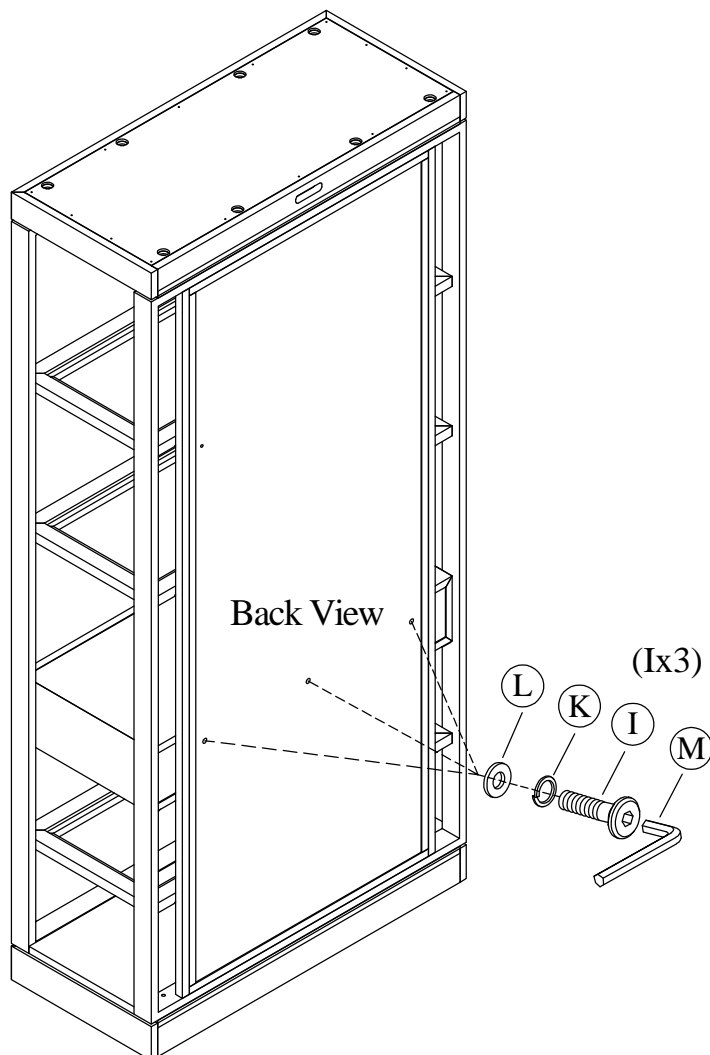
Step 5: Once bolts have been aligned, all bolts can be tightened.



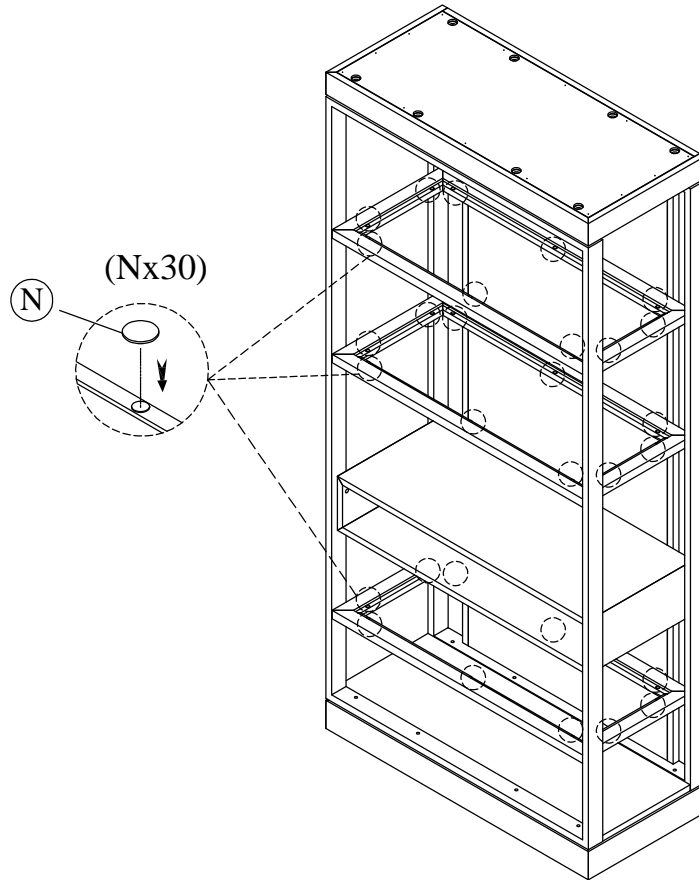
Step 6



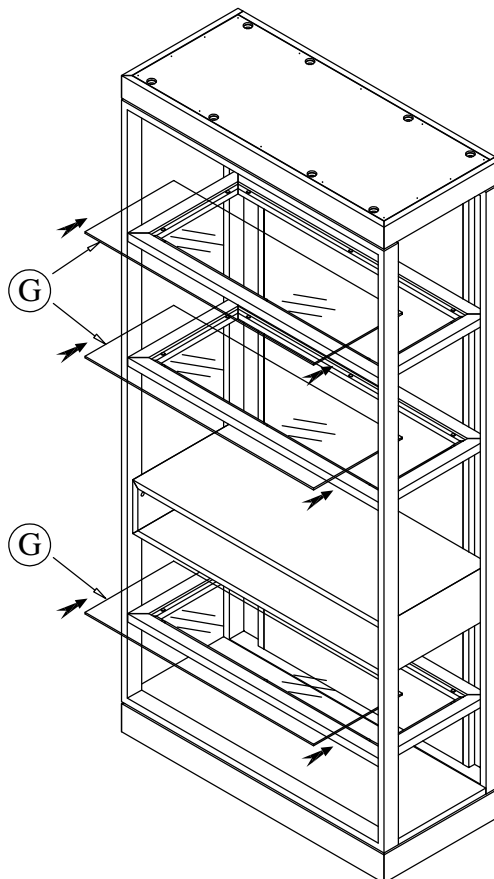
Step 7



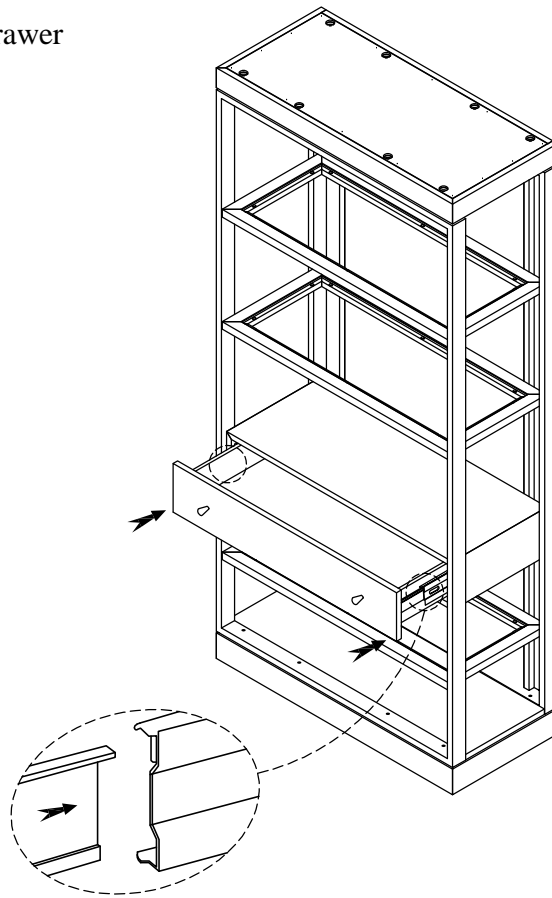
Step 8: Install Felt bumper pads on to shelves- use 10pads per shelf



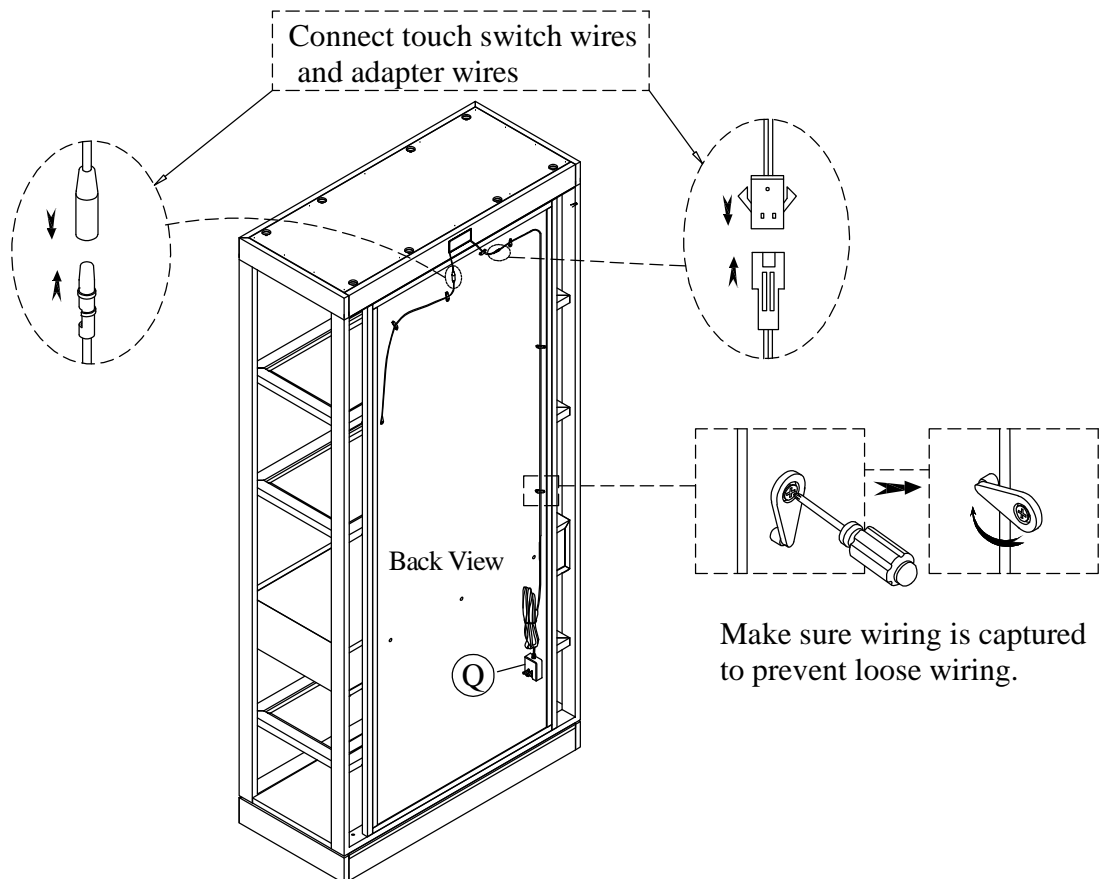
Step 9



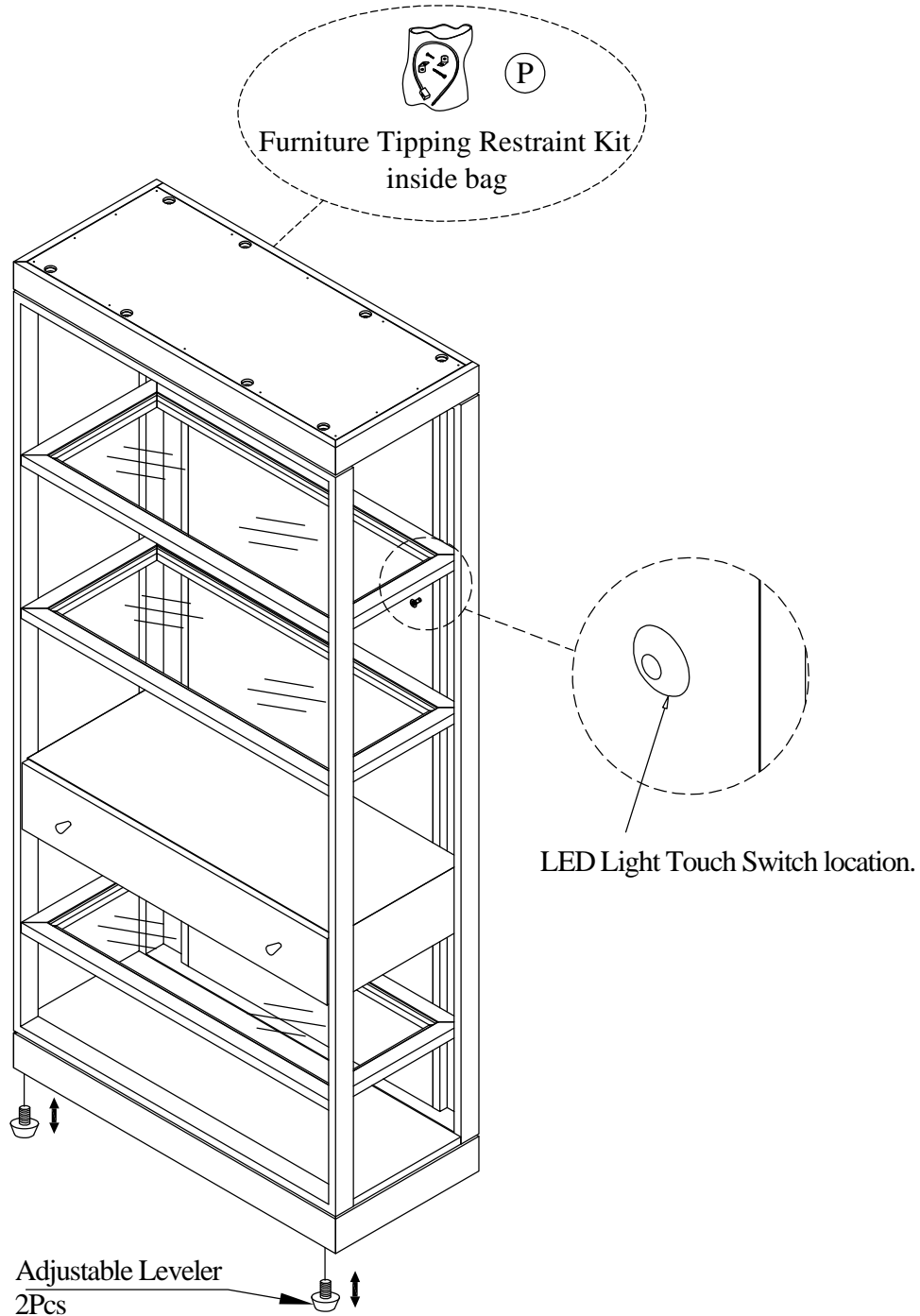
Step 10: Install Drawer



Step 11



## Step 10



For product and personal safety, a Furniture Tipping Restraint kit has been included with this unit which can help to minimize the risk of the unit accidentally tipping forward, if used and properly installed per the kit manufacturer's instructions.